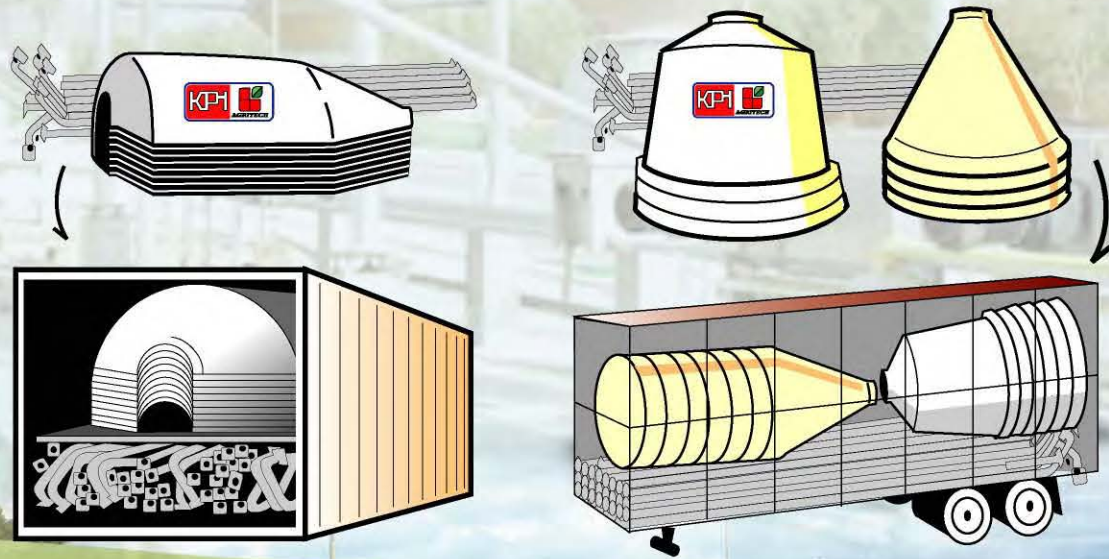


Products made by
fiberglass

New



Easy for Transportation



The Leader of Standardization Feed Storage Silo System



Kasetphand-Agritech Co., Ltd.

51/849 Moo3,lumsai Wangnoi, Phranakorn Sri Ayutthaya 13170 , Thailand

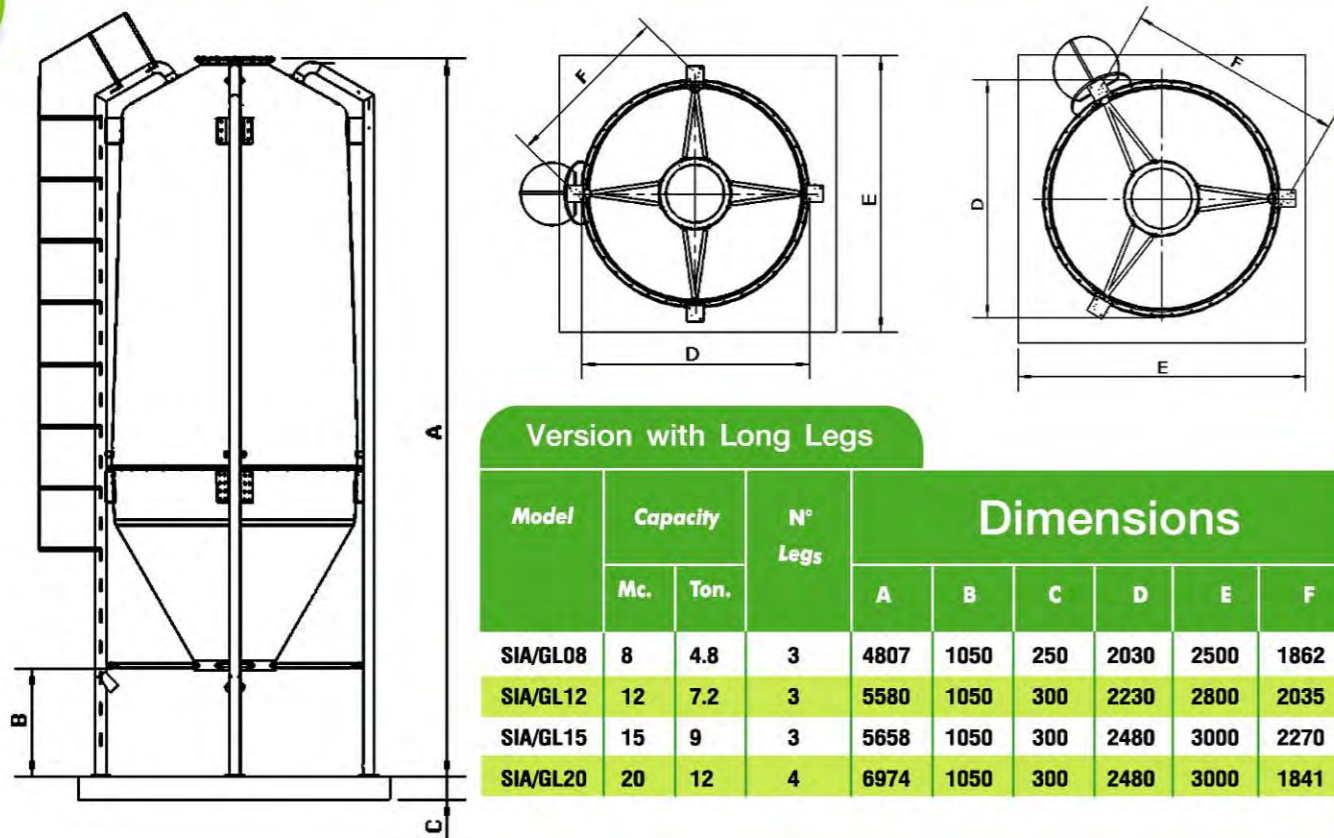
PHONE : 6635-215-771-9 FAX : 6635 215-720

SALES OFFICE

TEL: 6683-989-5889 6683-989-5957

E-mail : chatr@kpithailand.com rachot@kpithailand.com

Version
1



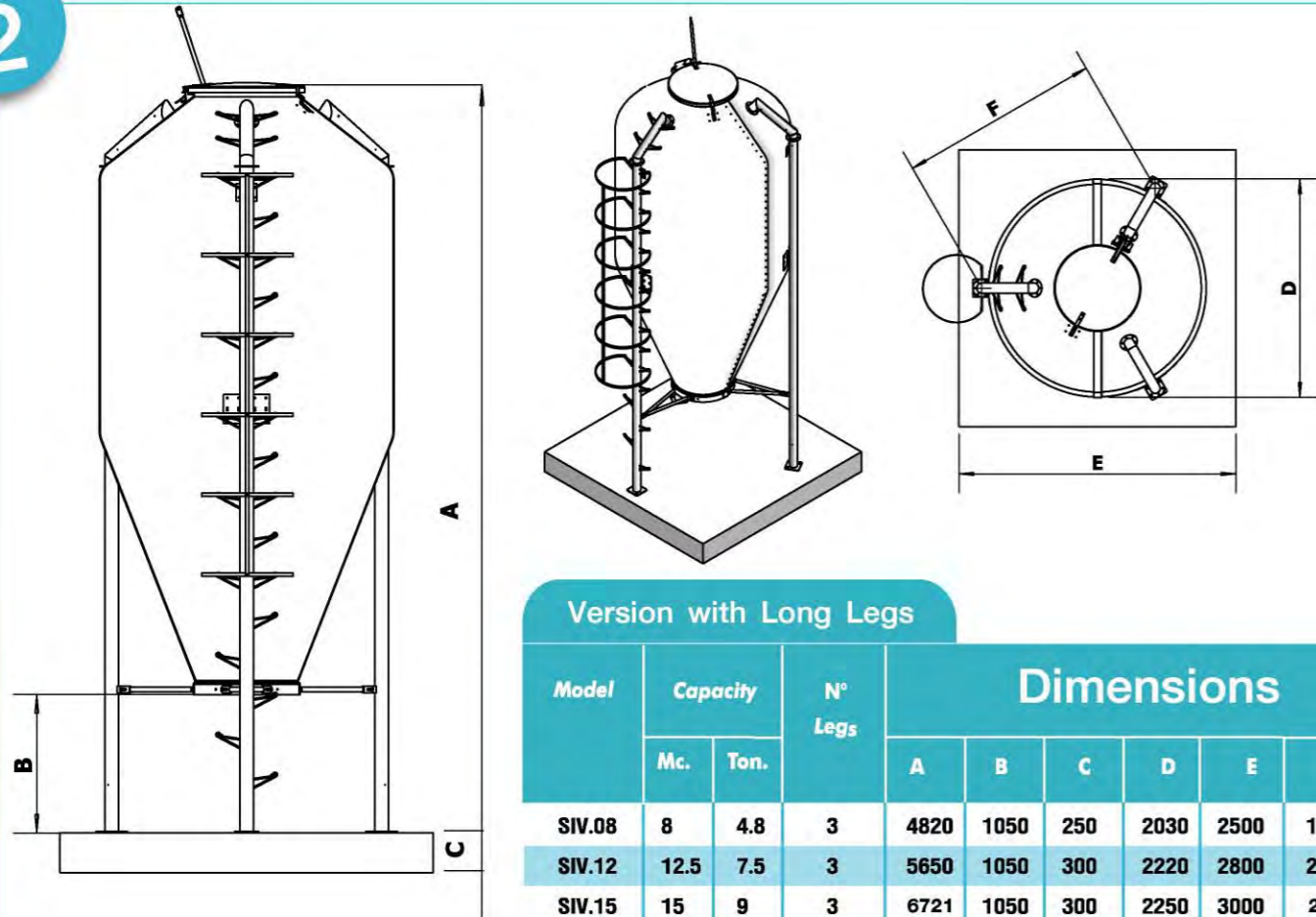
Version with Long Legs

Model	Capacity		N° Legs	Dimensions					
	Mc.	Ton.		A	B	C	D	E	F
SIA/GL08	8	4.8	3	4807	1050	250	2030	2500	1862
SIA/GL12	12	7.2	3	5580	1050	300	2230	2800	2035
SIA/GL15	15	9	3	5658	1050	300	2480	3000	2270
SIA/GL20	20	12	4	6974	1050	300	2480	3000	1841

Fiberglass Silo

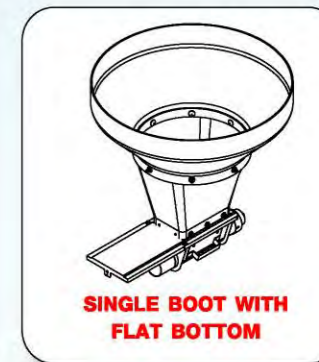
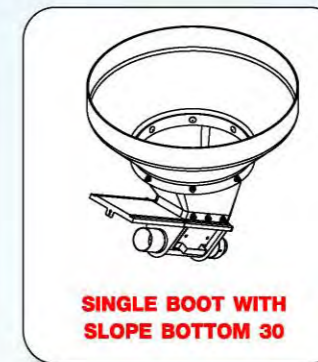
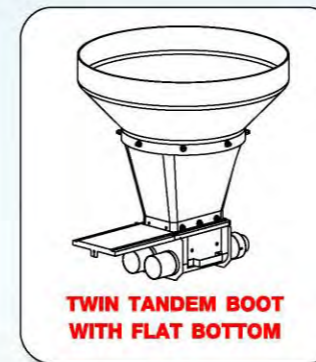


Version
2



Version with Long Legs

Model	Capacity		N° Legs	Dimensions					
	Mc.	Ton.		A	B	C	D	E	F
SIV.08	8	4.8	3	4820	1050	250	2030	2500	1860
SIV.12	12.5	7.5	3	5650	1050	300	2220	2800	2030
SIV.15	15	9	3	6721	1050	300	2250	3000	2070
SIV.20	20	12	4	6950	1050	300	2480	3000	1855
SIV.31	31	18	4	6410	1025	300	3400	4000	2563



Prominent Features Characteristics of Fiberglass Silo

- Good insulation for heat.
 - Suitable to install under sunlight and outdoor area
 - Maintain good feed quality
 - Reduce temperature variations during day and night time
 - No vaporization and moisture inside the bin
- Silo body is made in a single sheet, no joint connections, fully water proof, rust free and no feed residues left inside the bin
- Strong durability and long lasting
- Able view feed level inside through transparent tape
- Feed filling into the bins by both auger system on open top and pneumatic system
- Feed release out by both auger conveying system and by slide shut-off
- Easy for cleaning and rust free
- Smooth skin has no the undulation, misfire side food of bucket.
- Easy repair and fast more than steel silo when be damaged or decadence about 1 hour can be usable immediately
- Durable the be acid / alkaline state more well.
- Be the electric insulator and do not be born the static electricity.